

PREPARING SLEEVE TO ACCEPT 16 SERIES UNITS

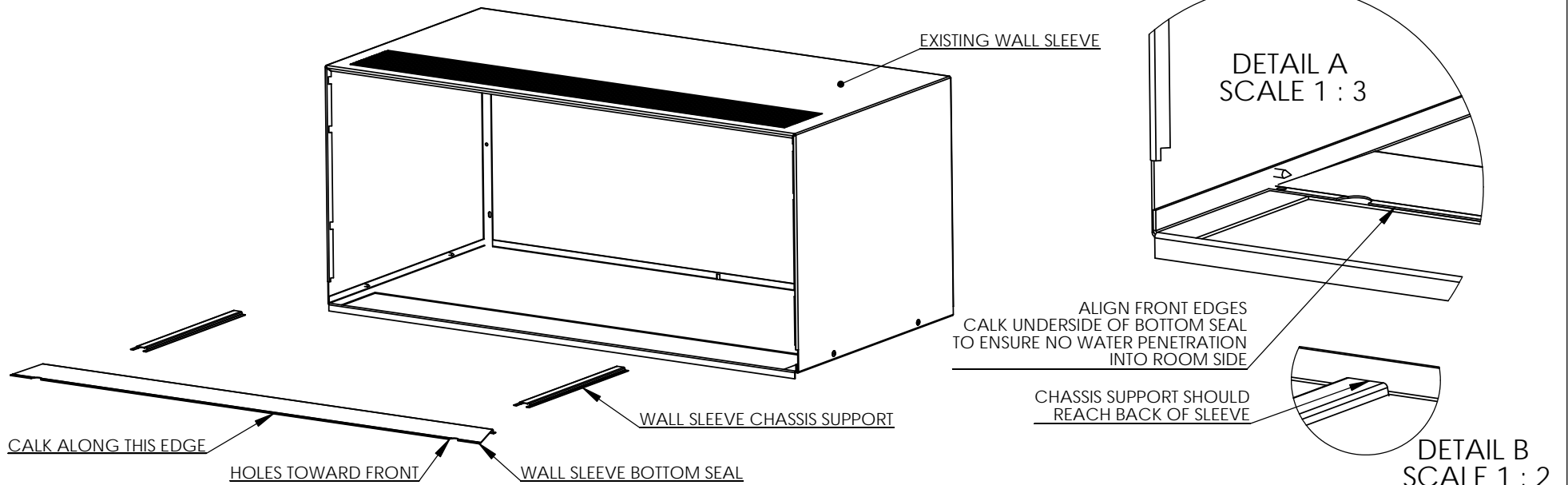
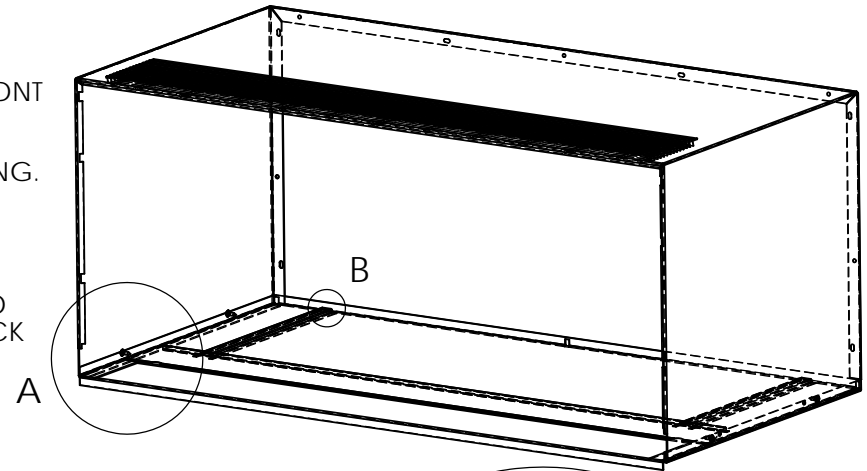
STEP ONE: SLIDE WALL SLEEVE CHASSIS SUPPORTS INTO SLEEVE SLOTTED END TO FRONT

STEP TWO: TAKE WALL SLEEVE BOTTOM SEAL AND PLACE IT INTO SLEEVE ALIGNING FRONT FLANGE (FLANGE WITH HOLES) WITH BACK OF ROOM AIR OPENING. THE BACK FLANGE OF THE BOTTOM SEAL WILL SLIDE INTO THE SLOTS CUT OUT OF THE CHASSIS SUPPORTS.

STEP THREE: USING THE BOTTOM SEAL HOLES AS A GUIDE DRILL 2 - 1/8" HOLES TO SECURE THE BOTTOM SEAL TO THE SLEEVE.

STEP FOUR: REMOVE BOTTOM SEAL AND APPLY A GENEROUS BEAD OF CALKING TO THE BOTTOM SIDE OF THE FRONT FLANGE. PLACE THE BOTTOM SEAL BACK INTO POSITION AND SECURE WITH TWO SCREWS PROVIDED.

THE ROOM SLEEVE IS NOW READY TO ACCEPT THE MODIFIED 16 SERIES UNIT.



					NAME	DATE	
					DRAWN WWebber	13 Jun 2013	
					CHECKED		
					ENG APPR		
					MFG APPR		
					Q.A.		
					MATERIAL	COMMENTS:	
					FINISH		
REV	DATE	NOTES	BY	APPLICATION			DC NOT SCALE DRAWING

Applied Comfort		
TITLE: WALL SLEEVE MODIFICATION DRAWING		
SIZE G	DWG. NO. 803198	REV 00
SCALE: 1:10	WEIGHT:	SHEET 1 OF 1

PROPRIETARY AND CONFIDENTIAL
 THE INFORMATION CONTAINED IN THIS DRAWING IS THE SOLE PROPERTY OF <INSERT COMPANY NAME HERE>. ANY REPRODUCTION IN PART OR AS A WHOLE WITHOUT THE WRITTEN PERMISSION OF <INSERT COMPANY NAME HERE> IS PROHIBITED.