

# INSTRUCTION SHEET

## Drain Kit RAD4A1

### General

The external drain kit is designed for use in installations where it is desirable to drain overflow water completely away from the installation.

The kit contains parts for draining one air conditioner cabinet with a factory drilled  $\frac{3}{4}$  inch hole in the cabinet bottom and parts for draining one air conditioner cabinet equipped with a quarter circle drain hole at the lower corner of the rear grille section. Note that some kit parts will not be used for draining any one cabinet. Discard any kit parts that are not necessary for the particular cabinet to be drained.

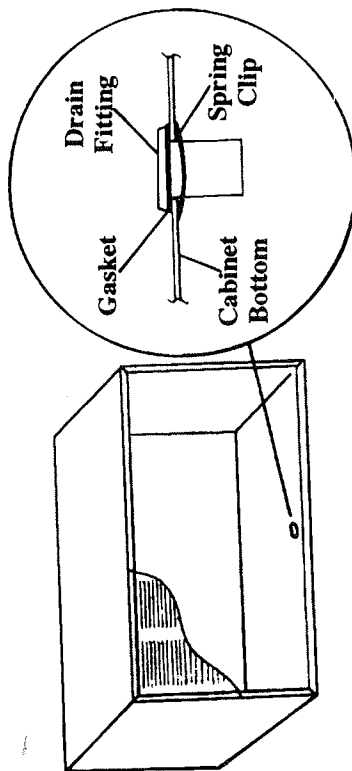


Figure 1.

Installation in Cabinet with  $\frac{3}{4}$  inch Hole in Cabinet Bottom

## Drain Kit Installation

1. Select and install kit parts per Fig. 1. Gasket must be between the drain fitting flange and the inside of the cabinet bottom.
2. The spring clip should be positioned against the cabinet bottom with adequate tension to assure a leak tight seal between the drain fitting, gasket and cabinet bottom.
3. Attached field supplied drain tubing to drain fitting. Install adequate strain relief clamps to the drain tubing to prevent possible leaks at the drain fitting due to mechanical strain.
4. If metallic drain tubing is used as a drain tube, a short length of rubber or plastic tubing should be used to connect the drain fitting to the drain tube. This will prevent mechanical strain to the drain fitting and reduce vibration transmission from the unit to the drain tube.

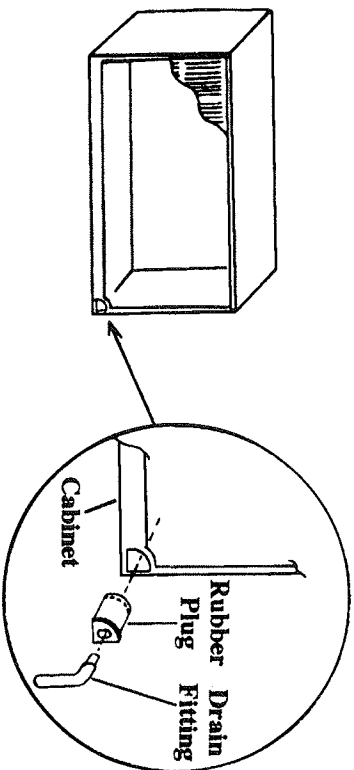


Figure 2.

Installation in Cabinet with Quarter Circle  
Drain Hole at Lower Corner of Cabinet

1. Check cabinet drain hole for burrs. If necessary de-burr the drain hole with a small file.
2. Cut off the solid end of the rubber plug furnished with the kit. (Cut off approx. 1/6 inch.) Be sure rubber plug has open hole through entire length of plug after cutting. Insert plug into cabinet drain hole. (Immersing rubber plug in denatured alcohol or soap suds will simplify this operation.)

3. Insert drain fitting into rubber plug.
4. Attach field supplied drain tubing to drain fitting. Install adequate strain relief clamps to drain tube to prevent possible leaks due to mechanical strain or vibration.

5. A non-hardening sealant should be applied to the cabinet to plug joint and the plug to drain fitting joint (permagum or caulking compound.)

6. If metallic tubing is used as a drain tube, a short length of rubber or plastic tubing should be used to connect the drain fitting to the drain tube. This will prevent mechanical strain to the drain fitting and reduce vibration transmission from the unit to the drain tube.

7. If an architectural rear grille is used in the installation, it may be necessary to cut a small triangular section from the lower right corner of the grille to provide adequate space for the drain fitting.

### Alternate Method For Draining Cabinet

If it is desired to drain this type cabinet through the bottom, proceed as follows:

1. Drill (or punch with chassis punch) a 3/4 inch diameter hole in the cabinet bottom. Locate hole at least 2 inches away from any cabinet edge for proper cabinet drainage.

2. This hole **must** be treated with a rust-resistant paint or sealer before installing the drain assembly to prevent rusting of the cabinet.

3. Proceed with Steps 1 thru 4 on reverse side of this instruction for installing bottom drain assembly.

4. Plug cabinet corner drain hole with the rubber plug provided in the kit.