

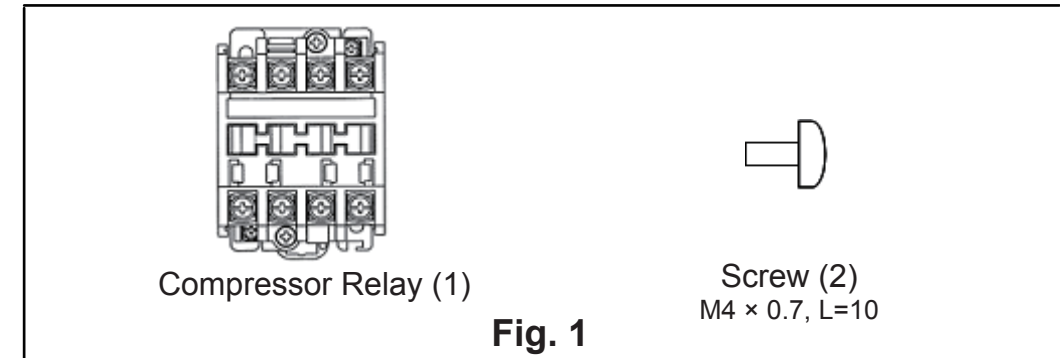
# INSTALLATION MANUAL

Compressor Relay (Part No. 484530-0660)

For 30HU (Classic 40) - Serial Number: 0401XXXX to 0807XXXX

## 1. Inventory

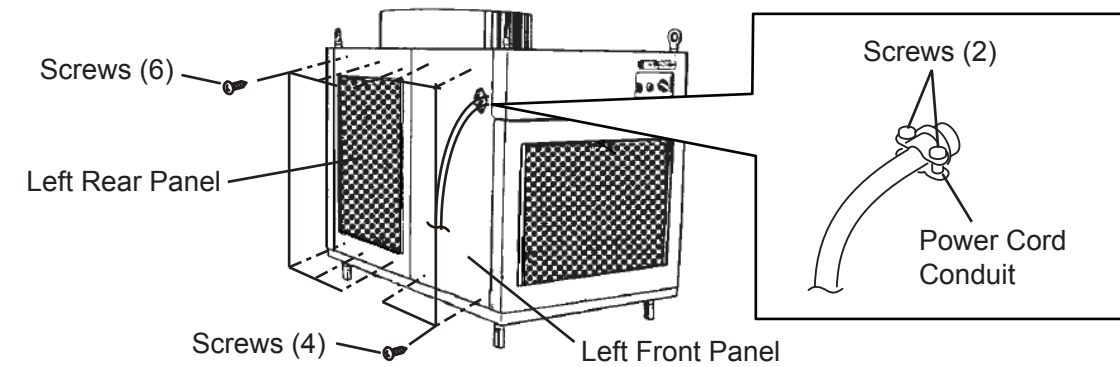
After unpacking, please check to make sure you have the following items. If any of these items were not included in the box or appear damaged, please contact your MovinCool reseller for replacement (See Fig.1).



## 2. Removal of Old Compressor Relay

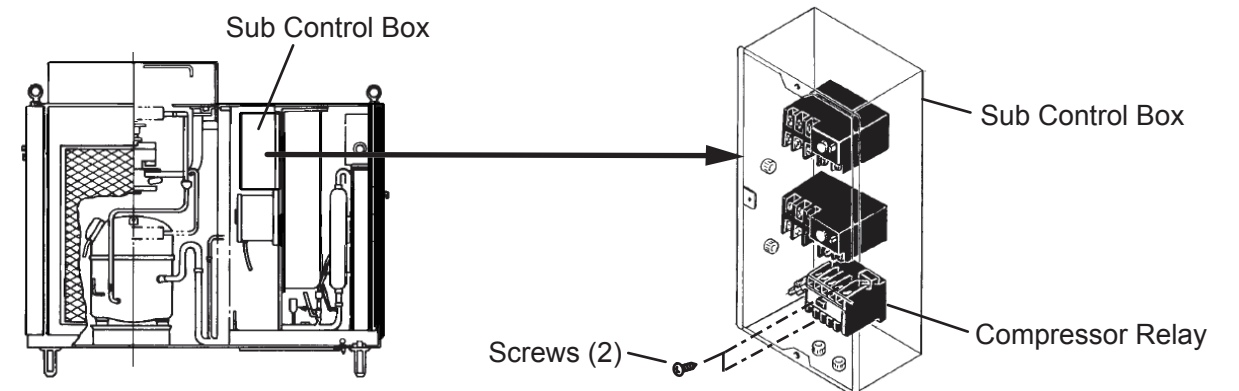
**⚠ WARNING: Disconnect power supply from the 30HU (Classic 40) unit before performing any service. Beware that some residual voltages may remain in the unit immediately after the power is disconnected.**

2-1. Remove six (6) screws and take off the left rear panel. Loosen two (2) screws fixing the power cord conduit. Then remove four (4) screws and take off the left front panel.



**Fig. 2**

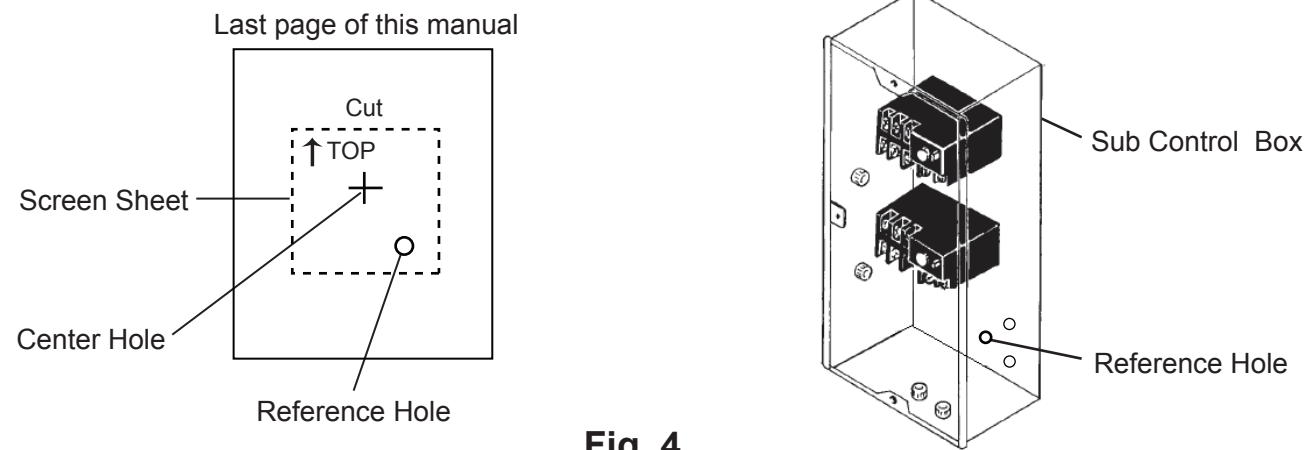
2-2. Remove all compressor wires (black) and two (2) screws from the compressor relay in the sub control box. Then take off the compressor relay.



**Fig. 3**

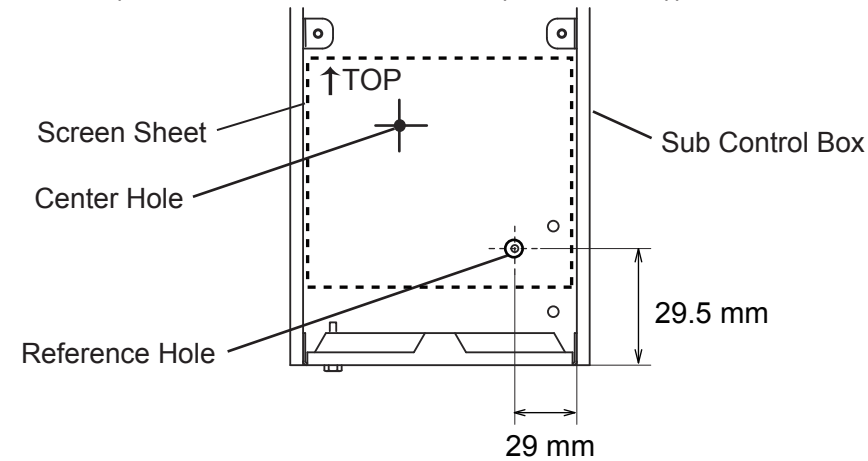
### 3. Installation of New Compressor Relay

3-1. Cut out the screen sheet on the last page of this manual (See Fig. 4). Confirm the reference hole on the sub control box to be matched with the reference hole on the screen sheet.



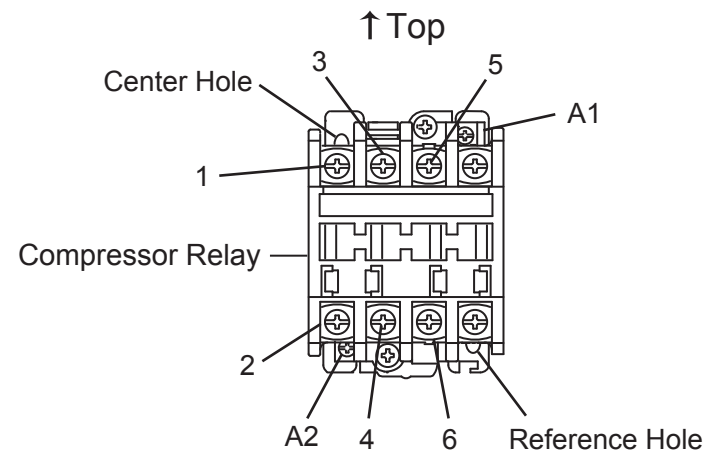
**Fig. 4**

3-2. Match the screen sheet's reference hole to the sub control box's reference hole and position the screen sheet as shown in Fig.5. Use adhesive to temporarily hold the screen sheet. Mark a center hole position on the sub control box, then remove the screen sheet. Make a center hole (recommended size:  $\Phi 3.1$  ( $\Phi 3.2$  max.)). Remove all metal dust.



**Fig. 5**

3- 3. Match the compressor relay's reference hole to the sub control box's reference hole in the direction shown below (See Fig. 6). Attach the compressor relay with two supplied screws at the torque of  $1.3 \pm 0.1$  ft.lbf ( $1.8 \pm 0.2$  N•m). Connect the compressor wires to the compressor relay connectors as shown in the table.



Compressor Wire No.	Relay Connector Code
U2	2
V2	4
W2	6
R	1
S	3
T	5
22	A1
34	A2

**Fig. 6**

3- 4. Install the left front panel and left rear panel in the reverse order of the removal steps.

## Screen Sheet

