

## **General Specifications**

### **Heating/Cooling Chassis.**

- **Safety Compliance** -- The SCHPC is a listed product eligible to bear the CSA Mark, cCSAus Mark (US and Canada Safety Compliance). The SCHPC is produced in a CSA inspected factory in Cambridge, Ontario, Canada.
- **3rd Party Energy Performance Verification** -- The Heating and Cooling-Capacity and Energy Performance Verification Testing for the SCHPC Series of chassis is conducted by Intertek Labs – certified Reports are available upon request – these tests cover the full range of cooling outputs available for the SCHPC Series. The Cooling-Capacity Tests were conducted in accordance with ANSI/ASHRAE Standard 310 / 380
- **General Construction** -- Complete air cooled refrigeration system with R-410A refrigerant. Two low noise high-static pressure dual-inlet evaporator blowers tested and verified for performance. One High performance prop fan with slinger ring condenser fan. Electric resistance heat (optional) uses high-mass, low-temperature heaters. Power cord exists from under left side.

### **Digital Touchpad Control**

- The SCHPC Digital Control is used to control the integral air conditioner and heat source via a touchpad, or optional remote 24-volt wall mounted thermostats.
- Chassis comes with standard 9 wire connection harness for comprehensive connection to thermostats including energy management; control by external thermostat is switched using dip switches.

### **Wall Sleeve**

- Industry standard 16.5" x 40", made of galvanized, phosphatized, heavy-gauge steel. Coated with electrostatically applied, baked on, industry standard beige polyester powder paint for maximum corrosion protection.
- **Room Grille & Control Door** – Top discharge with one piece steel bar grille powder-coated black. Enclosure completely encloses controls.

### **Electric heat Section**

- Consists of high mass, low surface temperature, finned-tubular type electric heater(s) with high limit cut-out.

### **Power Cord**

- LCDI power cord is supplied with 115v and 230-208 Volt chassis, and standard non-LCDI with 277 Volt chassis.

### **Louvers**

- Architectural type with silver powder-coating baked on.

### **Power Air Damper for Fresh Air (optional)**

- A power motorized door for fresh air opens when evaporator blowers are energized, and automatically closes when the evaporator blower is not energized.

### **Refrigeration System**

- Direct expansion indoor coil with capillary restrictor; and high efficiency rotary compressor.

### **Indoor and Outdoor Coils**

- Seamless copper tubes mechanically expanded into aluminum fins.

### **Charge**

- R410A.

### **Evaporator Fan**

- One direct drive, dual-shaft with permanent split capacitor two-speed motor. The evaporator fan consists of two centrifugal dual-inlet blower type.

*Certified Drawing --- Type: SCHPC --- 10Aug2018 --- Applied Comfort Products Carver Inc. --- [www.ptacs.com](http://www.ptacs.com) --- 1.877.227.7822 -- Applied Comfort Packaged Terminal Air Conditioner Heat pump with backup Electric Resistance Heat -- SCHPC*

**Filters**

- Washable aluminum weave filter in a durable aluminum frame.

**3 1/2" Skirt With Outlet (optional)**

- Skirt 3 1/2" high, with adjustable supporting feet, with or without electrical power outlet, mounts to bottom of sleeve. Color is industry-standard black.

**Condensate Drain**

- Drain pan to direct condensate to outdoor coil for re-evaporation by action of the slinger fan.

**Automatic Change-over in Heating Mode**

The unit will decide when to change over from reverse cycle heat to resistance heat based on inputs such as outdoor temperature and refrigerant temperature in the outdoor coil. Changeover is seamless and automatic. Once the unit shifts into electric resistance heat mode it will continue to heat in that mode until the room temperature set point has been achieved. Then for the next heating cycle, the unit will again decide which mode to be in. At any time, Resistance Heat for heating can be invoked by either activation of an Emergency heat rocker switch on the unit, or if 24 Volt remote thermostat, by the thermostat asserting Emergency Heat mode, or 2<sup>nd</sup> Stage Heat if so equipped.

**Convertible to 24 Volt Remote Thermostat (Code E, Electronic Control Units Only)**

Everything is supplied with the unit to convert it to Remote Thermostat operation, including the 9-pin wiring harness and a mylar label to lay over the touchpad control to instruct the user to go to the wall thermostat to operate the unit.

**Room Freeze Protection (Code E, Electronic Control Units Only)**

Room freeze protection is enabled by factory default and can be defeated by selection of DIP Switch setting if desired. If enabled, if room temperature falls below 50°F, the Low fan speed will energize as well as the appropriate heat source, until the room reaches 55°F, and then resumes its state before the low temperature event.

**Energy Management Interface (Code E, Electronic Control Units Only)**

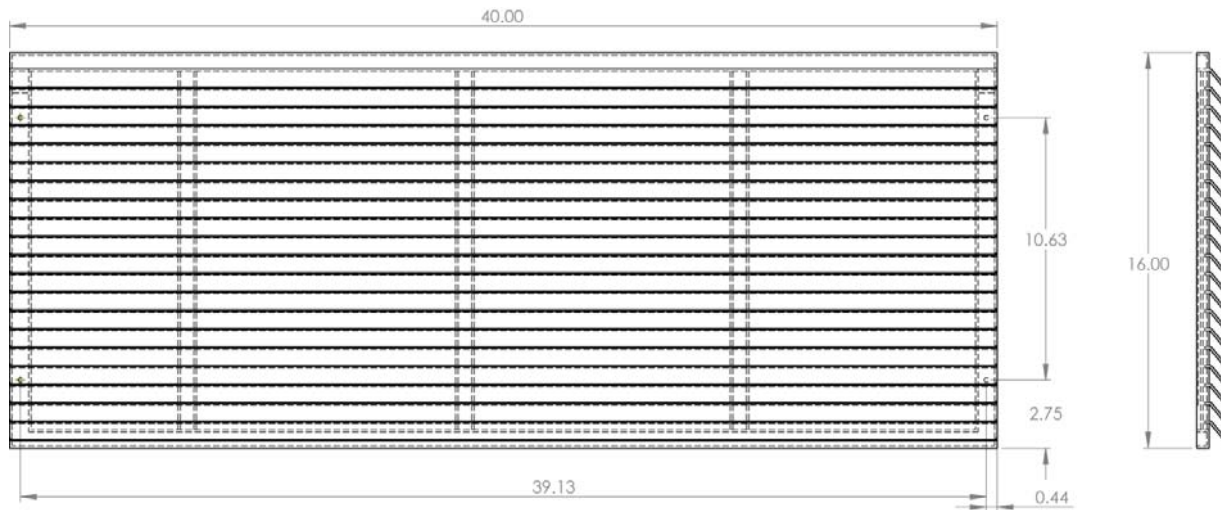
For touchpad control, or 24 Volt wall thermostat operation, the unit can be put into an unoccupied room status by making a connection between the Red and Purple wire on the 9-pin harness provided. Connecting Red and Purple prevents the unit from operating in cooling or heating mode. However, if room freeze protection has been enabled, the protection will override the dormant status and bring on the heat source accordingly until the room low temperature threat has been overcome.

**Certified Drawing --- Type: SCHPC --- 10Aug2018 --- Applied Comfort Products Carver Inc. --- [www.ptacs.com](http://www.ptacs.com) --- 1.877.227.7822 -- Applied Comfort Packaged Terminal Air Conditioner Heat pump with backup Electric Resistance Heat -- SCHPC**

**Performance Data – 3<sup>rd</sup> Party Lab Verified**

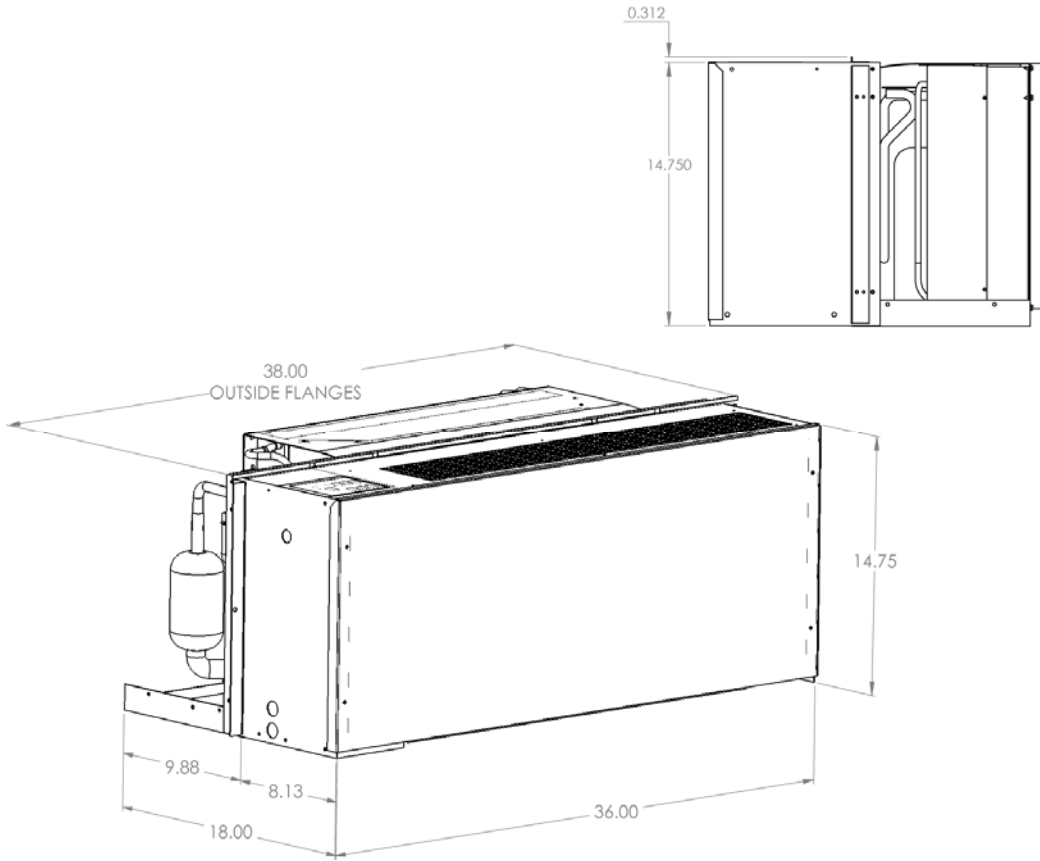
Model No.	Power Supply	Volts	NEMA Plug	Resistance Heat	Cooling			Reverse Cycle Heat			Res. Heat	S/T	Dehu	Indoor Air Flow*		MCA <sup>1</sup>	MOP <sup>2</sup>	Net Wt.
					Btu/hr	AMPS	EER	Btu/hr	AMPS	COP				KW	Pints / hr			
SCHPC12K00	230 - 208	197/254	6-20P	N/A	11500	5.9/6.2	9.5	12300	5.5/5.7	3.3	N/A	.75	2.8	390/375	345/315	8.1	15	126
SCHPC12K25	"	"	"	11.6/10.5	"	"	"	"	"	"	2.5/2.1	"	"	"	"	14.4	"	"
SCHPC12K34	"	"	"	15.5/14.1	"	"	"	"	"	"	3.4/2.8	"	"	"	"	19.3	20	"
SCHPC12K50	"	"	6-30P	22.5/20.4	"	"	"	"	"	"	5.0/4.1	"	"	"	"	28.0	30	"
SCHPC15K00	"	"	6-20P	N/A	14400	7.6/8.0	9.4	15200	7.0/7.3	3.1	N/A	.68	4.3	"	"	9.8	15	"
SCHPC15K25	"	"	"	11.6/10.5	"	"	"	"	"	"	2.5/2.1	"	"	"	"	14.4	"	"
SCHPC15K34	"	"	"	15.5/14.1	"	"	"	"	"	"	3.4/2.8	"	"	"	"	19.3	20	"
SCHPC15K50	"	"	6-30P	22.5/20.4	"	"	"	"	"	"	5.0/4.1	"	"	"	"	28.0	30	"
SCHPC12R00	277	240/293	7-20P	N/A	11500	5.4	9.5	12300	5.0	3.3	N/A	.75	2.8	380	335	6.8	15	126
SCHPC12R20	"	"	"	8.0	"	"	"	"	"	"	2.0	"	"	"	"	9.9	"	"
SCHPC12R30	"	"	"	11.6	"	"	"	"	"	"	3.0	"	"	"	"	14.4	"	"
SCHPC12R40	"	"	"	15.2	"	"	"	"	"	"	4.0	"	"	"	"	19.0	20	"
SCHPC15R00	"	"	"	N/A	14400	6.7	9.4	15200	6.1	3.1	N/A	.68	4.3	"	"	8.4	15	"
SCHPC15R20	"	"	"	8.0	"	"	"	"	"	"	2.0	"	"	"	"	9.9	"	"
SCHPC15R30	"	"	"	11.6	"	"	"	"	"	"	3.0	"	"	"	"	14.4	"	"
SCHPC15R40	"	"	"	15.2	"	"	"	"	"	"	4.0	"	"	"	"	19.0	20	"

**Dimensions – Architectural Grille**



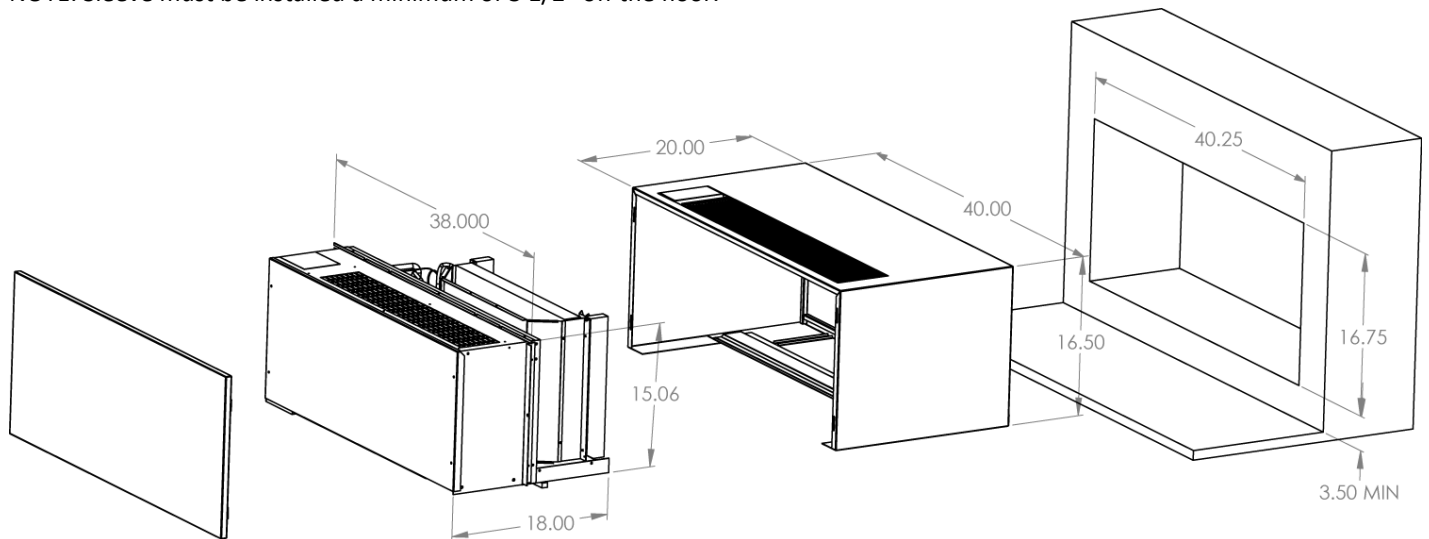
**Dimensional Data**

**Certified Drawing --- Type: SCHPC --- 10Aug2018 --- Applied Comfort Products Carver Inc. --- [www.ptacs.com](http://www.ptacs.com) --- 1.877.227.7822 -- Applied Comfort Packaged Terminal Air Conditioner Heat pump with backup Electric Resistance Heat -- SCHPC**



**Dimensions – Wall Profile**

NOTE: Sleeve must be installed a minimum of 3 1/2” off the floor.



**Physical Data**

Heating/Cooling Chassis and Front Panel.....130lbs

