

Job Name: _____

Location: _____

Purchaser: _____

P.O. No.: _____

Engineer: _____

Architect: _____

Submitted To: _____

Date: _____

Submitted By: _____

For: Reference Approval Construction

Unit Designation: Schedule No.: _____

Model No.: _____

Submittal Data: EA PTAC



Standard Features:

Standard Warranty

- One Year Full System Comprehensive Parts and Labor.
- 2nd to 6th Year Sealed Refrigerant System Parts Including Compressor.
- Shipping of Parts is covered to any location in North America during warranty period.

Optional Extended Six Year Warranty (Includes Standard Warranty Plus):

- 2nd to 6th Year Sealed Refrigerant System Labor.
- 2nd to 6th Year Comprehensive Parts Including Shipping Costs.

R-410A Refrigerant

High Static Pressure Blower Designs superior for ducted and hydronic applications.

High Energy Efficiency.

Ultra Quiet Operation.

Chassis configured as exact fit to original EA sleeve, original EA top grille, and original EA front cover.

Combinaton room cabinet and wall sleeve is constructed of heavy-gauge, zinc-coated phosphatized steel. Powder paint finish provides maximum corrosion protection through the wall dimension of only 16 3/8" x 44 7/8"

Discharge grilles are powder-coated.

Front Cover is a unique double insulated panel design, with four-way room air return around its periphery. This unique design permits flat-on-the-floor installation. The Front Panel is constructed of heavy-gauge zinc-coated phosphatized steel, with powder-coated paint finish. Each of the panels is insulated for unmatched sound suppression.

Digital Control Display (optional Mechanical Control available)

Welded heavy-gauge aluminum evaporator pan.

Easy Connection to Wall Thermostats, Energy Management Systems, or Front Desk Control (electronic chassis)

Freeze Room Protection (electronic chassis)

Dip Switch setting for temperature limiting (electronic chassis)

Temperature Display on Chassis (electronic chassis)

Engineered and Manufactured In North America in a CSA inspected and approved facility.

CSA safety approved and 3rd Party ETL laboratory energy performance verification tested.

Manufacturing & Quality Assurance Process:

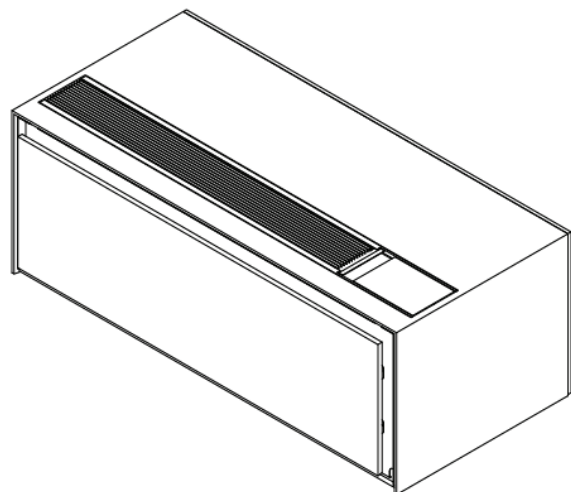
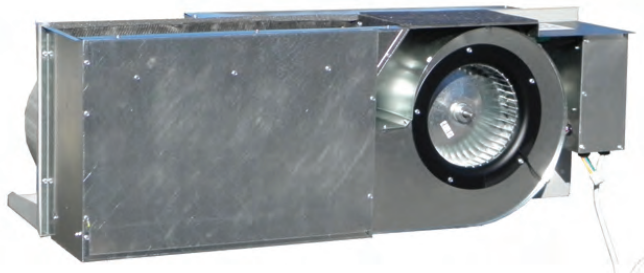
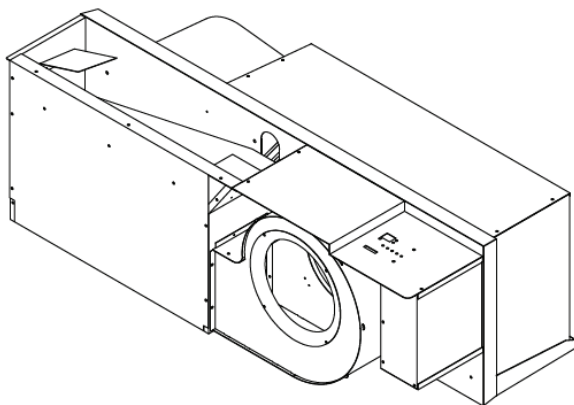
All Applied Comfort PTACs undergo the following uniquely rigorous manufacturing & QA process:

- STEP 1) Sealed System Pressure Test -- The completed sealed system is subjected to a high PSI dry air pressure test. Each PTAC is held at pressure and monitored for pressure decay to ensure the sealed-system free of any leaks.
- STEP 2) Vacuum Decay Test -- The sealed system is drawn down to ultra-low vacuum, and then evaluated according to a conservative vacuum decay algorithm for an extended period.
- STEP 3) Charge Algorithm Test (R410a) -- The sealed chassis is charged by an automated refrigerant charge station and held at charge for a defined period to monitor for leaks.
- STEP 4) Test Room 1 -- Full Dielectric Test, Ground Continuity Test, and Full Operational Test of All Chassis Functions in all heating and cooling modes.
- STEP 5) 20 Minute "Cool Down" -- All PTACs have a 20 minute cool-down period after Test Room 1 and before Test Room 2., during which time additional chassis components are added.
- STEP 6) Test Room 2 -- A second battery of tests including Dielectric Test, Control System Test, Full Operational Test of all chassis functions, Ambient Sound Test to detect any errant sound or vibration. When completed, a test record is digitally captured for future reference, and a paper record is affixed to the chassis.
- STEP 7) Final Visual Inspection and Packaging.

Note that Applied Comfort's manufacturing facility is qualified by and regularly inspected by CSA.

Safety Certification & Energy Verification Process:

Applied Comfort PTAC models are submitted to CSA laboratories for safety testing and safety certification. Following CSA certification, Applied Comfort PTAC models are submitted to ETL laboratories to undergo 3rd party energy performance verification and charge optimization/verification testing.



Combination Room Cabinet and Wall Sleeve, with Room cover and top grille assembly

Thermostats:

<u>WIRELESS</u> Wall T'stat -- Up to 2 heat 2 cool conventional -- Up to 3 heat 2 cool heat pump -- <u>7 Day or 5/1/1 programmable</u> or non-programmable	ACCWIRELESST955W-1 THERMOSTAT
<u>WIRELESS</u> Wall T'stat --1 Heat, 1 Cool (no Heatpump) -- <u>Non-Programmable</u>	ACCWIRELESST632W
<u>WIRED</u> Wall T'stat -- Single Stage -- 1 Heat, 1 Cool (no Heatpump) -- <u>5/1/1 Programmable</u>	ACCWIREDT605-2
<u>WIRED</u> Wall T'stat -- Single Stage -- 1 Heat, 1 Cool -- <u>Non-programmable</u>	ACCWIREDT601-2

EAEC Air Conditioner with Electric Resistance Heat

Model	Voltage	Hz	Cooling					Resistance Heat			Min. Circuit Amps	MOP* Fuse Amps	Electrical Plug (NEMA)	Indoor CFM HIGH°	Indoor CFM LOW°	Net Wt. lbs.
			BTU/Hr.	EER	Amps	S/T	Pts./hr.	BTU/Hr.	kW	Amps						
EAEC09L00_6	115	60	9800	10.1	8.8	.75	2.2	N/A	N/A	N/A	13.6	15	#5-15P	300	240	143
EAEC12L00_7	"	"	12600	10.1	10.8	.71	3.3	N/A	N/A	N/A	16.7	20	#5-20P	330	250	"
EAEC09K00_6	230 - 208	"	9800	10.1	4.4/4.8	.75	2.2	N/A	N/A	N/A	7.2	15	#6-15P	300	240	"
EAEC09K25_6	"	"	"	"	"	"	"	8900/7500	2.5/2.1	11.4/10.3	14.3	15	"	"	"	"
EAEC09K34_7	"	"	"	"	"	"	"	12000/9900	3.4/2.8	15.3/13.4	19.1	20	#6-20P	"	"	"
EAEC09K50_8	"	"	"	"	"	"	"	17400/14300	5.0/4.1	22.2/20.2	27.8	30	#6-30P	"	"	"
EAEC12K00_6	"	"	12600	10.2	5.4/5.9	.71	3.3	N/A	N/A	N/A	8.2	15	#6-15P	330	250	"
EAEC12K25_6	"	"	"	"	"	"	"	8900/7300	2.5/2.1	11.4/10.3	14.3	15	"	"	"	"
EAEC12K34_7	"	"	"	"	"	"	"	12000/9900	3.4/2.8	15.3/13.4	19.1	20	#6-20P	"	"	"
EAEC12K50_8	"	"	"	"	"	"	"	17400/14300	5.0/4.1	22.2/20.2	27.8	30	#6-30P	"	"	"
EAEC15K00_6	"	"	15000	9.7	6.8/7.5	.65	4.8	N/A	N/A	N/A	10	15	#6-15P	"	"	"
EAEC15K25_6	"	"	"	"	"	"	"	8900/7300	2.5/2.1	11.4/10.3	14.3	15	"	"	"	"
EAEC15K34_7	"	"	"	"	"	"	"	12000/9900	3.4/2.8	15.3/13.4	19.1	20	#6-20P	"	"	"
EAEC15K50_8	"	"	"	"	"	"	"	17400/14300	5.0/4.1	22.2/20.2	27.8	30	#6-30P	"	"	"
EAEC09R00_2	277	"	9800	10.1	3.2	.75	2.2	N/A	N/A	N/A	6.1	15	#7-20P	300	240	"
EAEC09R20_2	"	"	"	"	"	"	"	7200	2.0	7.7	9.7	15	"	"	"	"
EAEC09R30_2	"	"	"	"	"	"	"	10600	3.0	11.3	14.2	15	"	"	"	"
EAEC09R40_2	"	"	"	"	"	"	"	14000	4.0	14.9	18.7	20	"	"	"	"
EAEC12R00_2	"	"	12600	10.2	4.5	.71	3.3	N/A	N/A	N/A	7.1	15	"	330	250	"
EAEC12R20_2	"	"	"	"	"	"	"	7200	2.0	7.7	9.7	15	"	"	"	"
EAEC12R30_2	"	"	"	"	"	"	"	10600	3.0	11.3	14.2	15	"	"	"	"
EAEC12R40_2	"	"	"	"	"	"	"	14000	4.0	14.9	18.7	20	"	"	"	"
EAEC15R00_2	"	"	15000	9.7	5.7	.65	4.8	N/A	N/A	N/A	8.7	15	"	"	"	"
EAEC15R20_2	"	"	"	"	"	"	"	7200	2.0	7.7	9.7	15	"	"	"	"
EAEC15R30_2	"	"	"	"	"	"	"	10600	3.0	11.3	14.2	15	"	"	"	"
EAEC15R40_2	"	"	"	"	"	"	"	14000	4.0	14.9	18.7	20	"	"	"	"

*Time Delay Fuse or HCAR Circuit Breaker ---- °Dry Coil ---- 277v models have non-LCDI cords.

EAWC Air Conditioner with Hydronic Heat

Model	Voltage	Hz	Cooling					Resistance Heat			Min. Circuit Amps	MOP* Fuse Amps	Electrical Plug (NEMA)	Indoor CFM HIGH°	Indoor CFM LOW°	Net Wt. lbs.
			BTU/Hr.	EER	Amps	S/T	Pts./hr.	BTU/Hr.	kW	Amps						
EAWC09L00_6	115	60	9800	10.1	8.8	.75	2.2	N/A	N/A	N/A	13.8	15	#5-15P	300	240	143
EAWC12L00_7	"	"	12600	10.2	10.8	.71	3.3	N/A	N/A	N/A	19.4	20	#5-20P	330	250	"
EAWC09K00_6	230 - 208	"	9800	10.1	4.4/4.8	.75	2.2	N/A	N/A	N/A	7.4	15	#6-15P	300	240	"
EAWC12K00_6	"	"	12600	10.2	5.4/5.9	.71	3.3	N/A	N/A	N/A	8.4	15	#6-15P	330	250	"
EAWC15K00_6	"	"	15000	9.7	6.8/7.5	.65	4.8	N/A	N/A	N/A	10.2	15	#6-15P	"	"	"
EAWC09R00_2	277	"	9800	10.1	3.2	.75	2.2	N/A	N/A	N/A	6.3	15	#7-20P	300	240	"
EAWC12R00_2	"	"	12600	10.2	4.5	.71	3.3	N/A	N/A	N/A	7.3	15	#7-20P	330	250	"
EAWC15R00_2	"	"	15000	9.7	5.7	.65	4.8	N/A	N/A	N/A	8.9	15	#7-20P	"	"	"

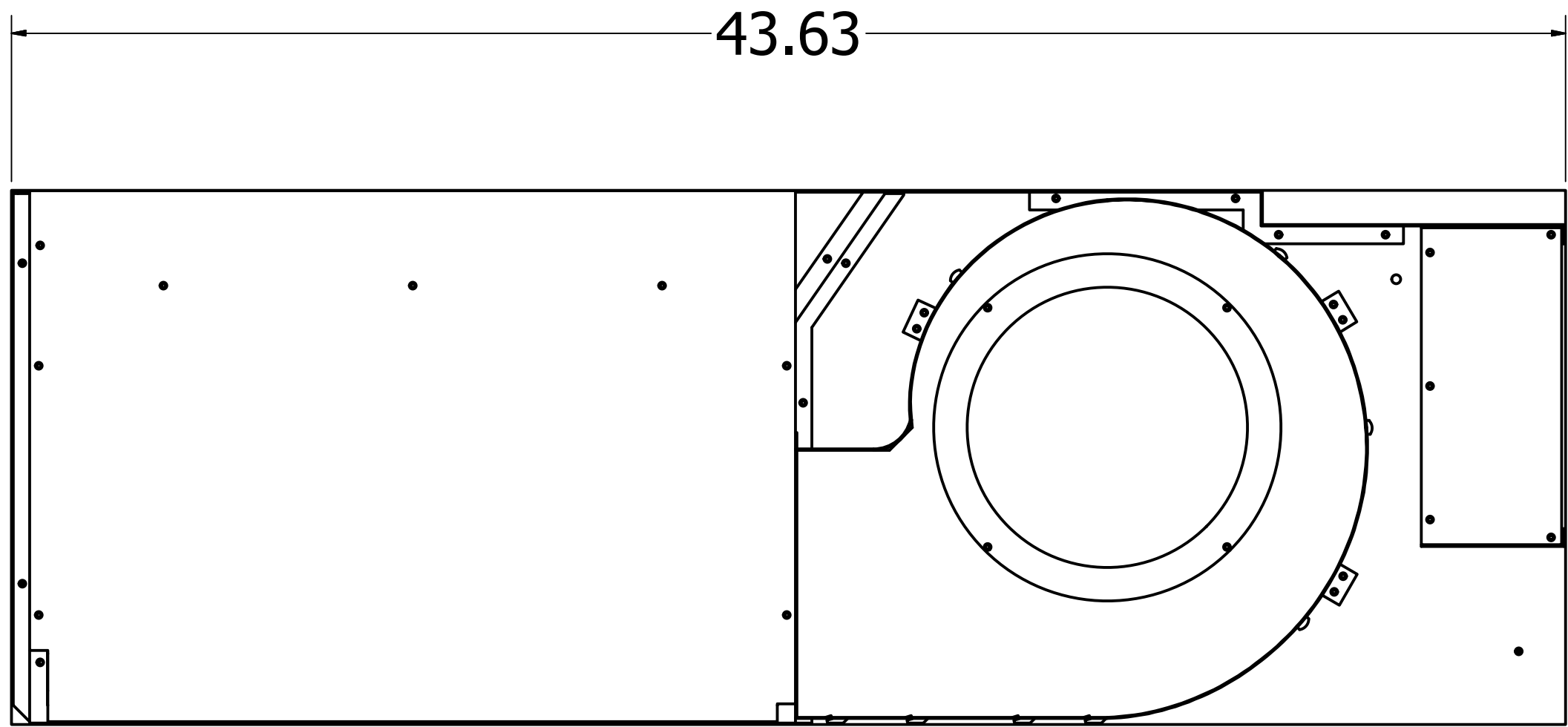
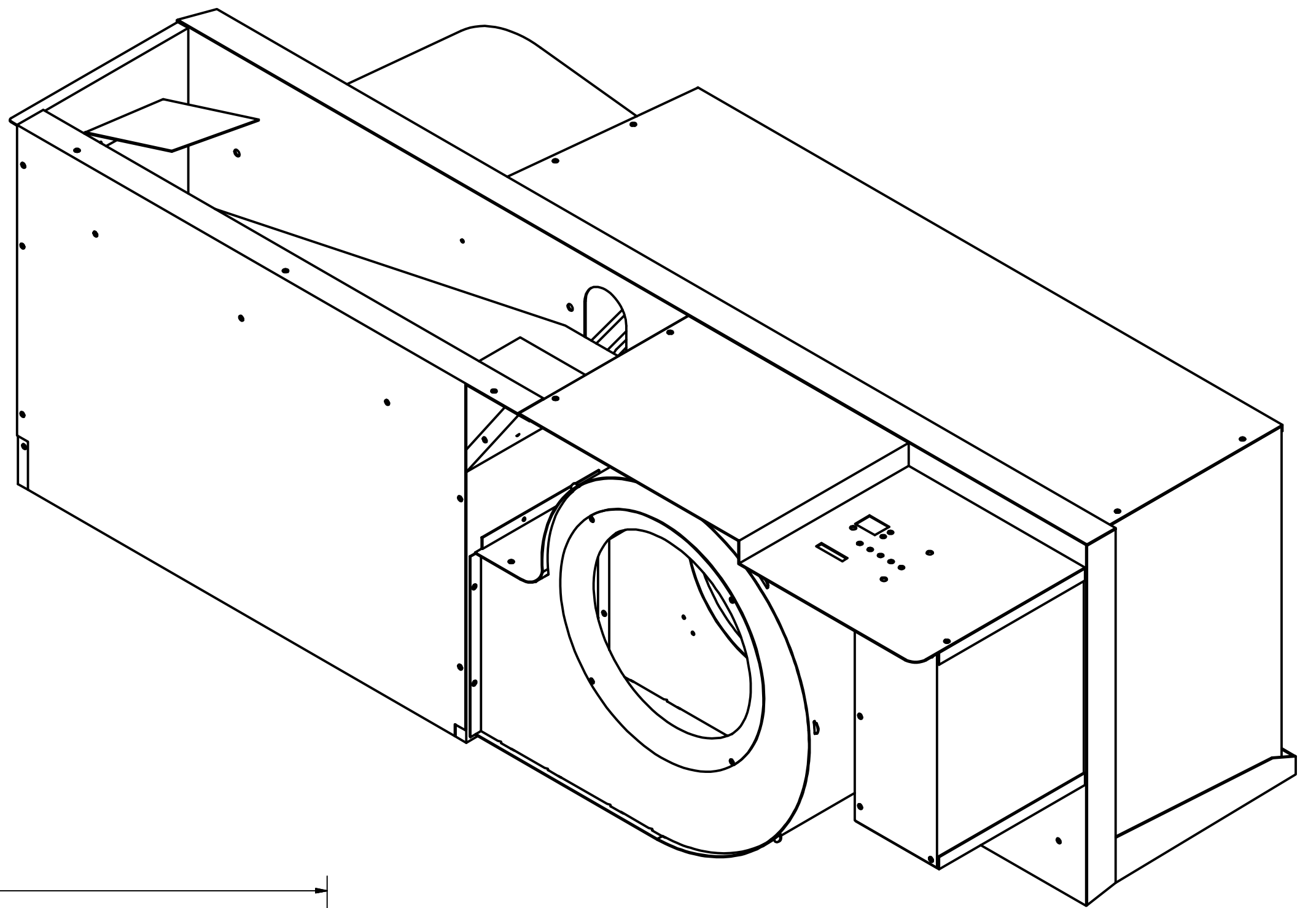
*Time Delay Fuse or HCAE Circuit Breaker ---- °Dry Coil ---- 277v models have non-LCDI cords.

Accessories:

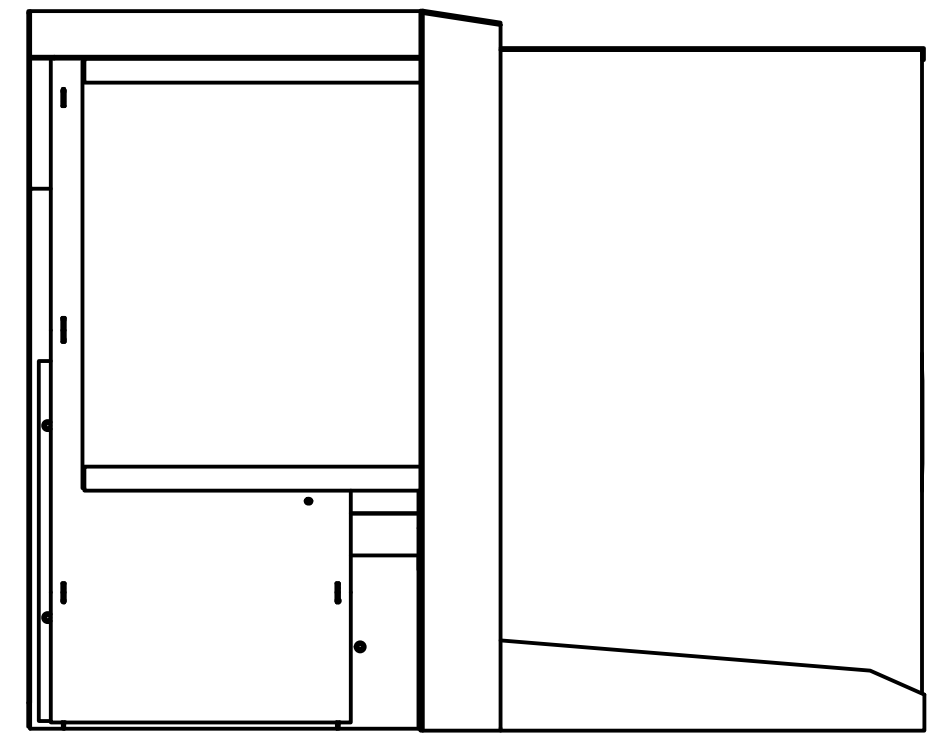
ACCEAFTCOVER_PREMIUM	Premium Room Front Cover – Double panel insulated -- 4-sided Air Return – washable aluminum filter sold separately. Can also replace aging original 4-sided Air Return EA-style front panel.
ACCEAFTCOVER_SIMPLE *	Simple Room Front Cover – Single panel insulated – Front grille Air Return – washable aluminum filter sold separately.
ACCEAAIRFILTER	Aluminum Mesh Filter -- fits into ACCEAFTCOVER_PREMIUM and ACCEAFTCOVER_SIMPLE. Also fits original EA-style front.
ACCEARSRETROFITPREM	Complete Retrofit Kit – for installing EA chassis in McQuay, Sing., Rem. ES/RS/MQT wall sleeve, or replacing McQuay PDAE, PDHE, Islandaire ED, or Ice Air RSEA - includes ACCEAFTCOVER_PREMIUM, ACCEAAIRFILTER, bottom close-off and fasteners.
ACCEARSRETROFITSIM *	Complete Retrofit Kit – for installing EA chassis in McQuay, Sing., Rem. ES/RS/MQT wall sleeve, or replacing McQuay PDAE, PDHE, Islandaire ED, or Ice Air RSEA - includes ACCEAFTCOVER_SIMPLE, ACCEAAIRFILTER, bottom close-off and fasteners.
ACCEAOUTLETGRILLE	Top Louver and Control Access Door -- fits ACCEASLEEVE. Also fits McQuay, Sing., Rem. EA/RS/ES/MQT grilles/doors.
ACCEASLEEVE	Wall Sleeve – 44 7/8" wide x 16 3/8" high x 20" deep. Also is exact replacement for existing McQuay, Sing., Rem. EA style sleeves -- includes top louver and control door ACCEAOUTLETGRILLE. Note: Air filter and front covers sold separately.
ACCEAAGRILLE_ANODIZED	Architectural Grille -- Anodized Aluminum - Silver
ACCEASSGRILLE_BEIGE	Stamped Steel Grille -- Powder-coated - Beige
ACCEASSGRILLE_SILVER	Stamped Steel Grille -- Powder-coated - Silver
ACCEASUBBASE_NOPOWER	Sub Base -- Powder-coated Black - no power. Optional - used for structural support for thin wall applications.
ACCEASUBBASE20A-277	Sub Base -- 277 Volt, 20 Amp - Powder-coated Black. Must be used for 277 Volt installations
ACCEA_EXTENDAIR	Duct assembly for ducting EA unit to one adjacent room. Includes duct plenum and 48" extension. Non-adjustable room outlet grille to be field-supplied. Not to be used with mechanical on-chassis control Applied Comfort EA models (code S).

*Special order lower-cost option.

Special custom paint colours are available for all outdoor grilles



FRONT



SIDE

15.00

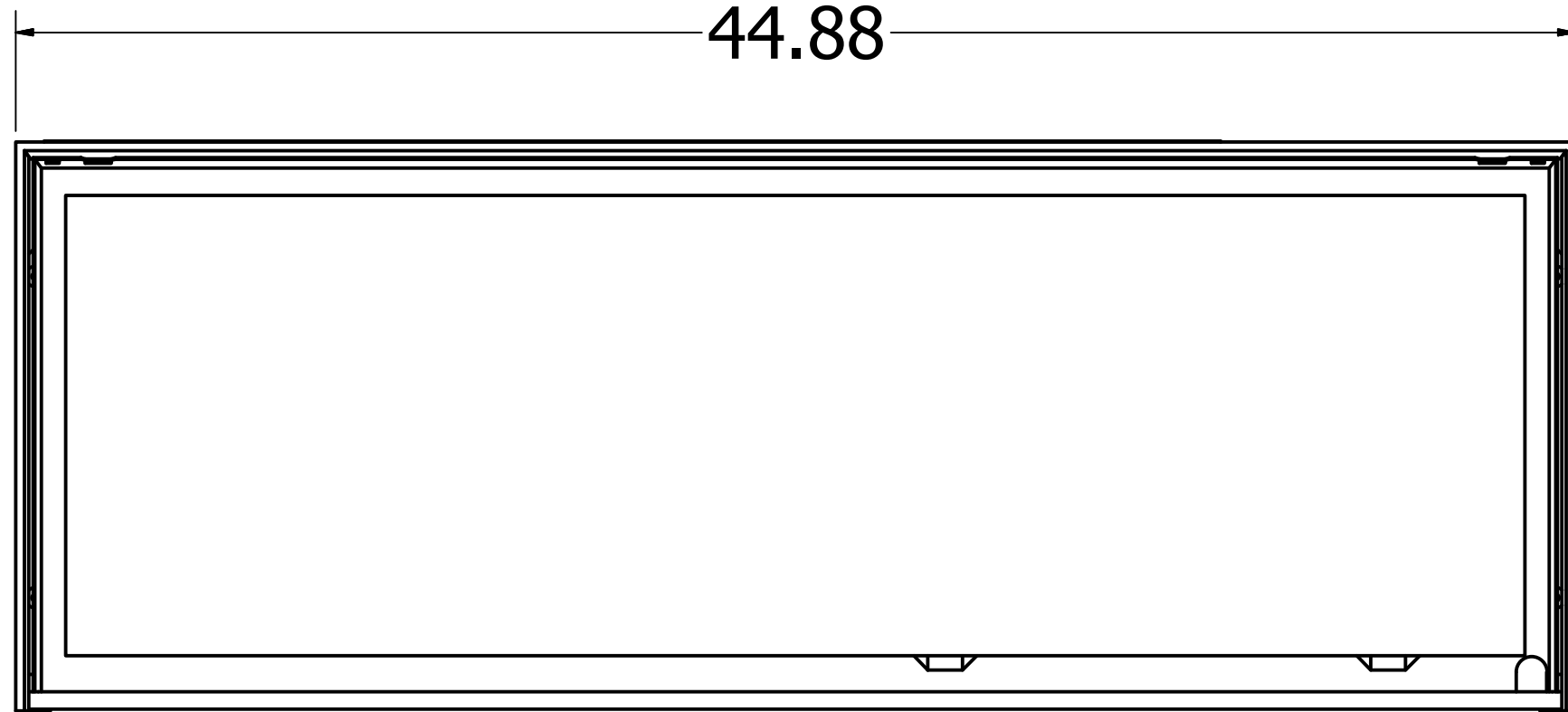
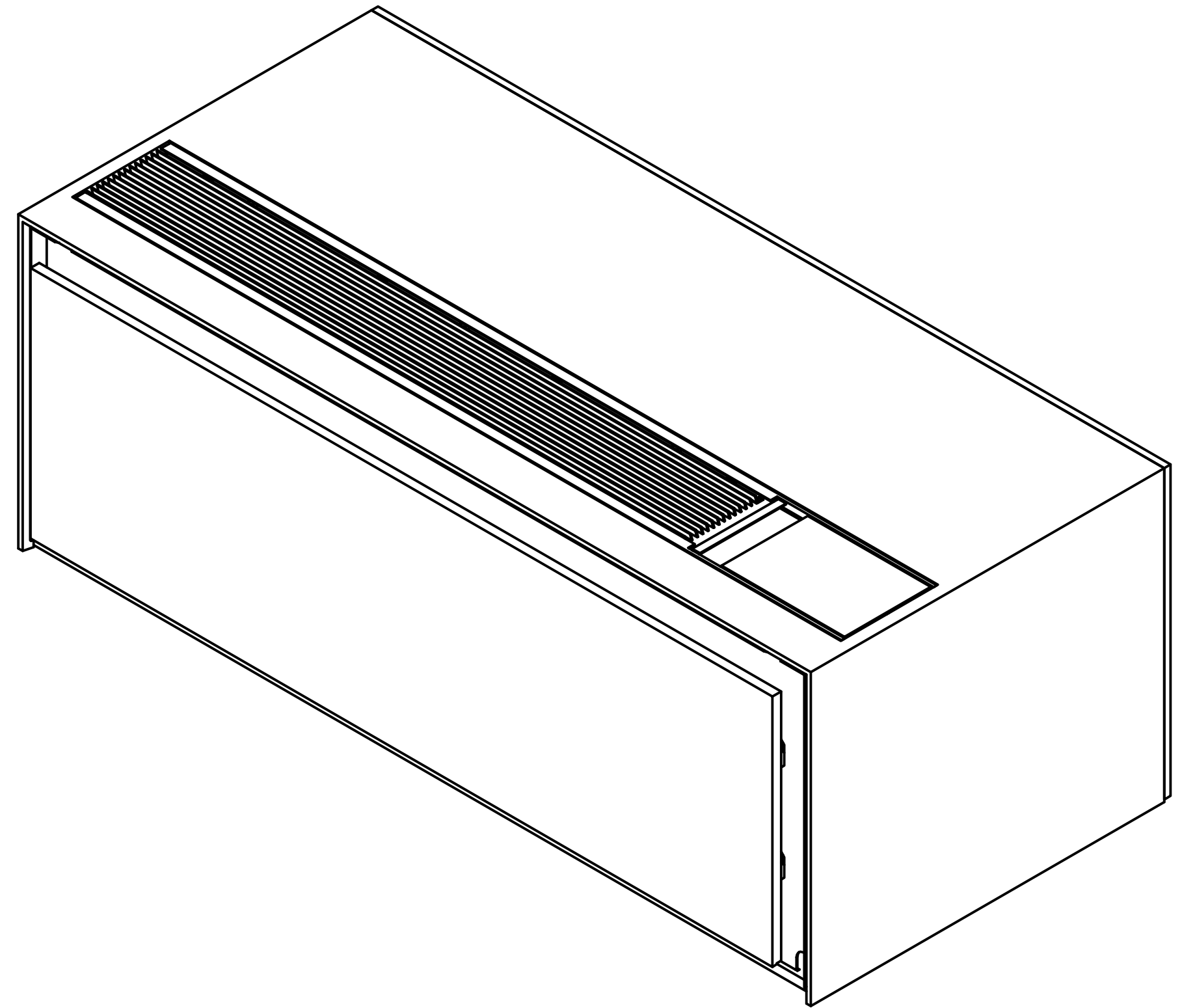
PROPRIETARY AND CONFIDENTIAL
 THE INFORMATION CONTAINED IN THIS DRAWING IS THE SOLE PROPERTY OF Applied Comfort Products Inc.. ANY REPRODUCTION IN PART OR AS A WHOLE WITHOUT THE WRITTEN PERMISSION OF Applied Comfort Products Inc. IS PROHIBITED.

DRAWN	02/10/2012			
CHECKED				
QA		TITLE		
MFG		Applied Comfort EA Series PTAC CHASSIS		
APPROVED		SIZE	DWG NO	REV
		G	G-EA=002	
		SCALE		

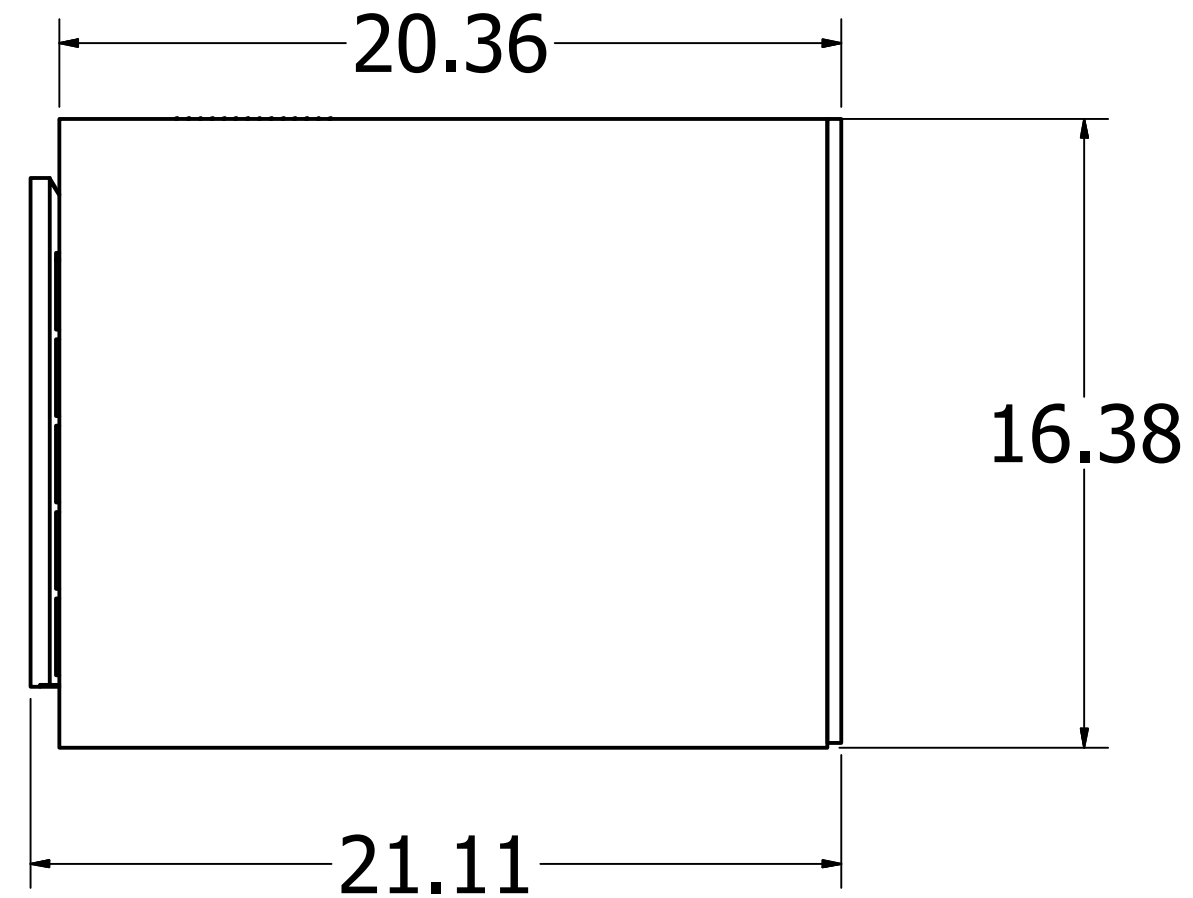
Applied Comfort EA series PTAC
General Product Dimensional and Installation Drawings

Proper building practices must be used when constructing a wall opening to support a PTAC wall sleeve and chassis.

If practices are unknown, consult your local architect or building contractor.
Product dimensions and attributes may change without notice. Contact your Applied Comfort Representative for updates.



FRONT

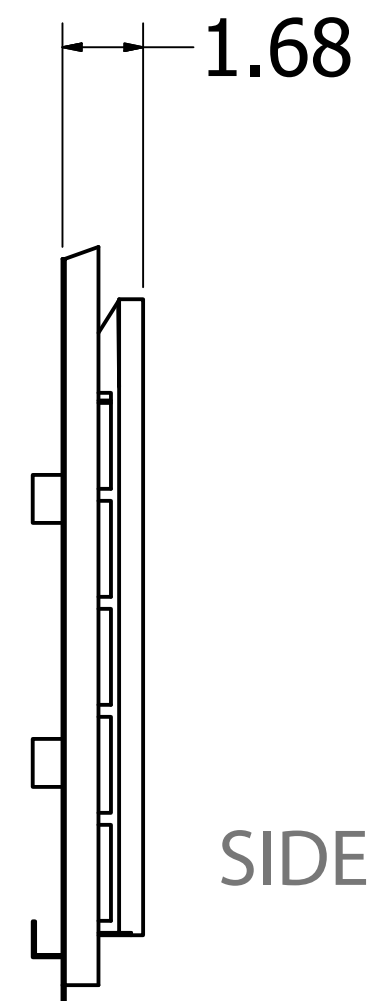
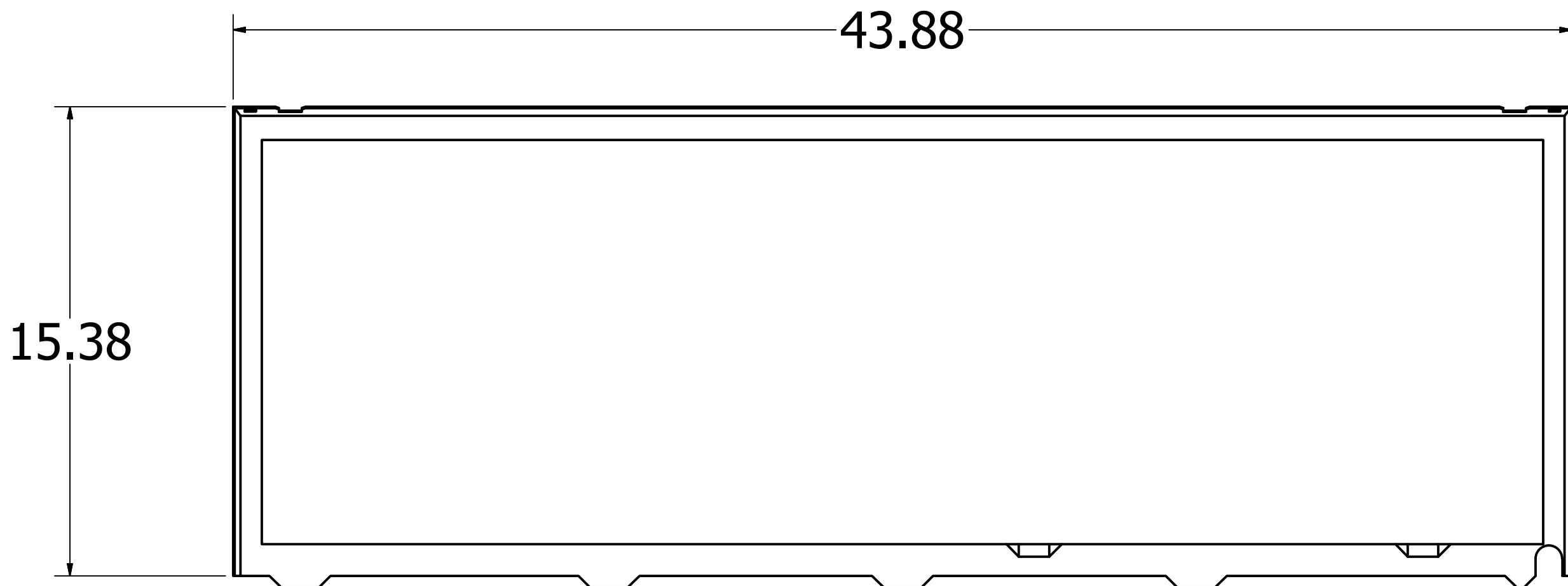
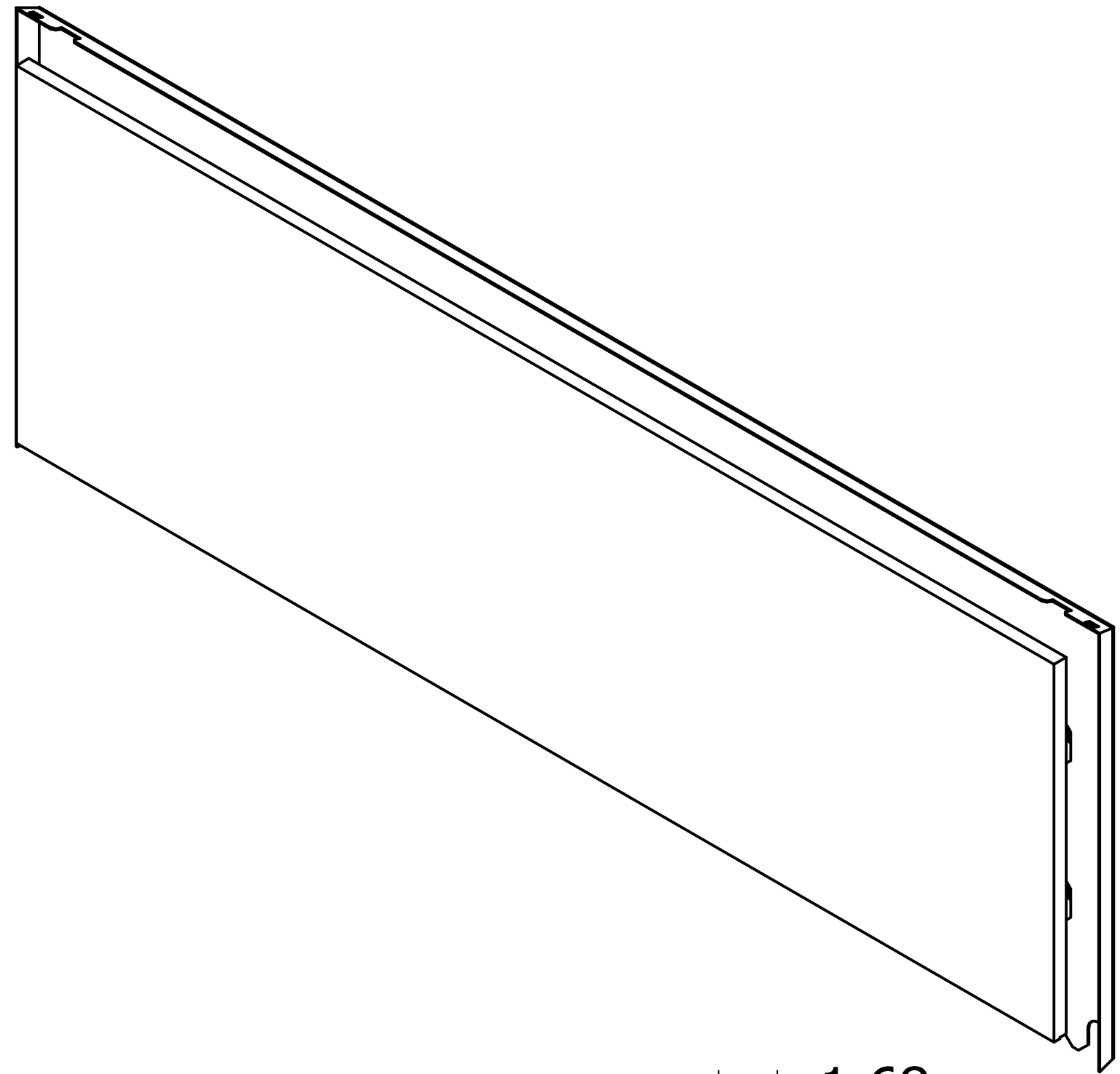


SIDE

PROPRIETARY AND CONFIDENTIAL

THE INFORMATION CONTAINED IN THIS DRAWING IS THE SOLE PROPERTY OF Applied Comfort Products Inc.. ANY REPRODUCTION IN PART OR AS A WHOLE WITHOUT THE WRITTEN PERMISSION OF Applied Comfort Products Inc. IS PROHIBITED.

DRAWN	02/10/2012			
CHECKED				
QA		TITLE		
MFG		Applied Comfort EA Series PTAC		
APPROVED		FULL ASSEMBLY		
		CHASSIS INSIDE SLEEVE, OUTDOOR GRILE, AND ROOM COVER		
		SIZE	DWG NO	REV
		G	G-EA=001	
		SCALE		



FRONT

SIDE

NOTE: ROOM COVER is 2 layer, zinc-coated, phosphated-dipped, powder-coated steel. Insulation is added to both layers of panel for optimized sound-deadening.

DESIGN NOTES:
 Four-way air return around its periphery.
 Design permits flat-on-the-floor installation.
 Permanent, cleanable aluminum mesh filter mounted on reverse side of cover.
 Hinging device permits full access to the heating-cooling chassis.

PROPRIETARY AND CONFIDENTIAL

THE INFORMATION CONTAINED IN THIS DRAWING IS THE SOLE PROPERTY OF Applied Comfort Products Inc.. ANY REPRODUCTION IN PART OR AS A WHOLE WITHOUT THE WRITTEN PERMISSION OF Applied Comfort Products Inc. IS PROHIBITED.

DRAWN	02/10/2012			
CHECKED				
QA		TITLE		
MFG		Applied Comfort EA Series PTAC ROOM COVER		
APPROVED		SIZE	DWG NO	REV
		G	G-EA=005	
		SCALE		

4

3

4

2

1

D

C

B

A

D

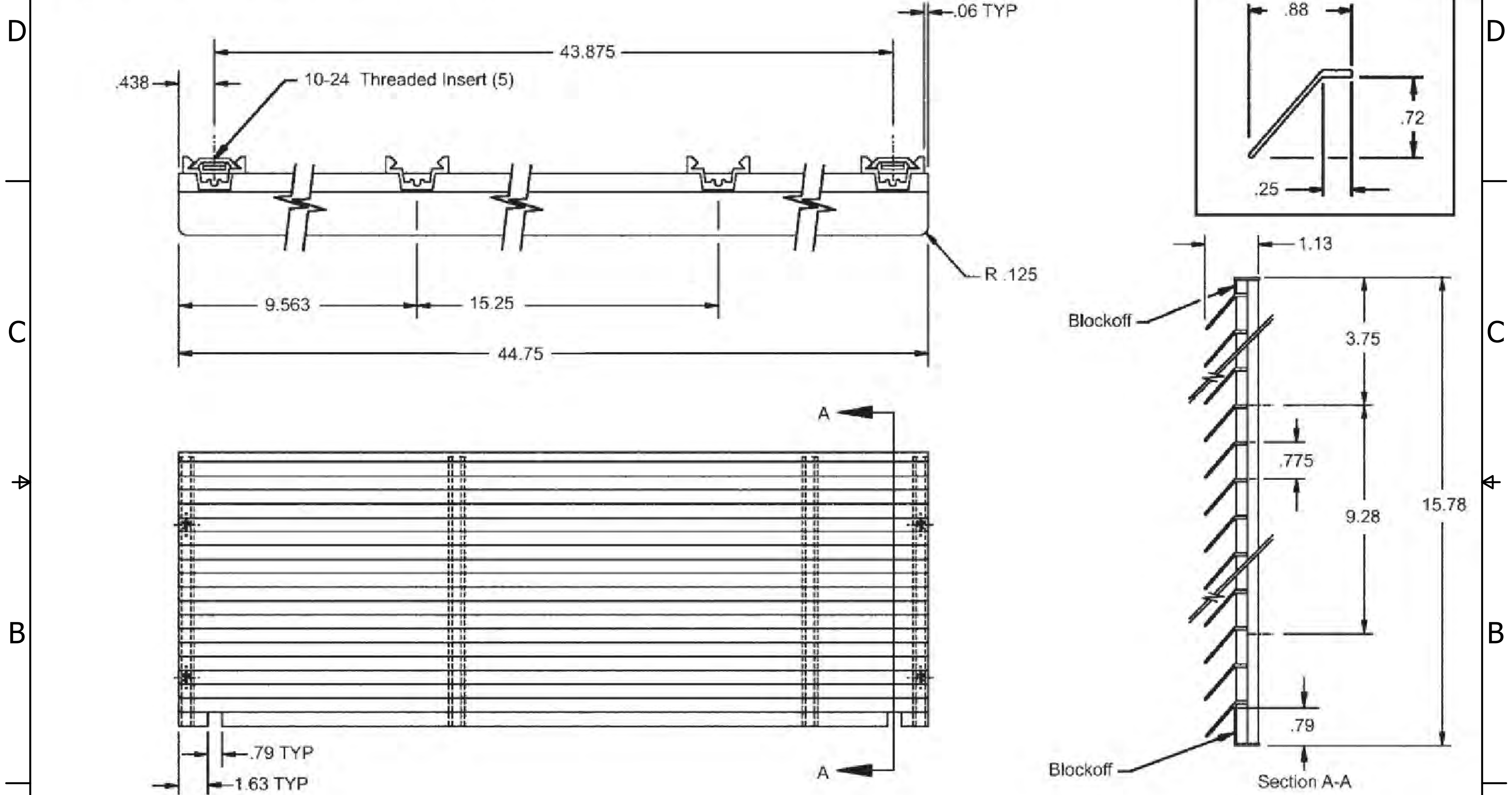
C


B

A

Architectural louver dimensions

Blade Profile (Reference)



DRAWN				
CHECKED				
QA		TITLE		
MFG				
APPROVED		SIZE	DWG NO	REV
		SCALE		