

CSDC-CSUC

FITS 45 1/8" X 16" SLEEVE

High Energy Efficiency

Long Service Life

Chromalox™ Space Command

SI & SI-DF Series Replacement



- + optimized design for highest energy efficiency
- + commercial duty construction for reliability & durability
- + acoustic noise cancelling materials for comfort.

CSDC

SLIDE IN REPLACEMENT FOR:
Chromalox™ Space Command
DOWNFLOW SI-DF and SHPI-DF Series.

DUCTED to multiple rooms.

Controlled by 24v wall thermostat.

Two-stage heat on units 5.5 Kw and above
for optimal comfort and efficiency.



CSUC

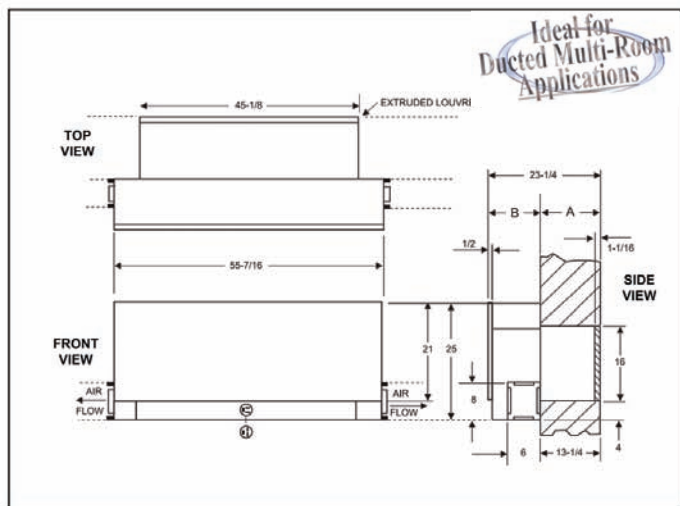
SLIDE IN REPLACEMENT FOR:
Chromalox™ Space Command
UPFLOW SI and SHPI Series.

Single-zone heat/cool --- NOT ducted.

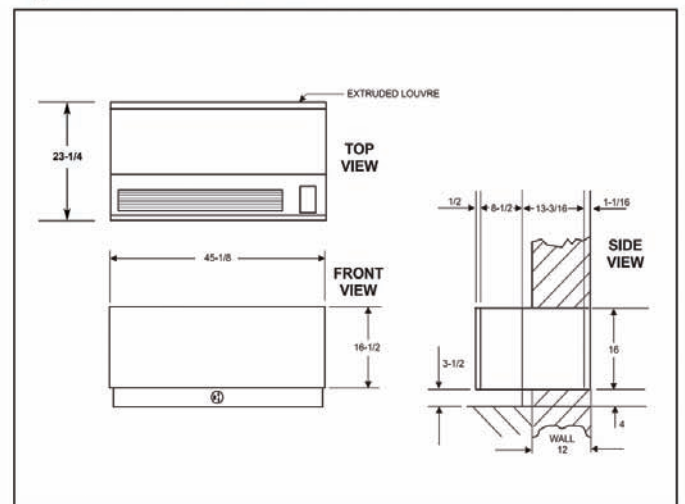
ON-chassis or wall thermostat controlled.



Typical Installation Details



Typical Installation Details



VERIFIED
FOR ENERGY
PERFORMANCE

HIGHEST EFFICIENCY

www.ptacs.com

HIGHEST RELIABILITY



- Chromalox™ DOWNFLOW SI-DF & SHPI-DF Replacement

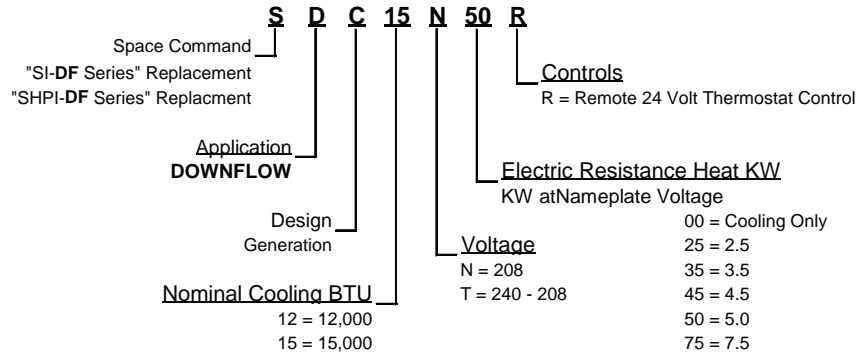
Capacity and Physical Data (common DOWNFLOW models shown)

Model	Voltage	Hz	Cooling				Heating			Fuse Amps	Indoor SCFM	Net Wt. (lbs.)
			BTU/Hr	EER	Amps	Pints/Hr	BTU/Hr	kW	Amps			
SDC12T25R	240-208	60	12600	10.3	5.9/6.3	4.0	9000/6800	2.5/1.9	11.2/9.7	15	415	165
SDC12T35R	"	"	"	"	"	"	12400/9400	3.5/2.6	15.4/13.3	20	"	"
SDC12T50R	"	"	"	"	"	"	17500/13200	5.0/3.8	21.6/18.8	30	"	"
SDC12T75R	"	"	"	"	"	"	26000/19600	7.5/5.6	32.0/27.9	40	"	"
SDC12N45R	208	"	"	"	6.3	"	15700	4.5	22.5	30	405	"
SDC12N75R	"	"	"	"	"	"	26000	7.5	36.9	50	"	"
SDC15T35R	240-208	"	15100	9.9	7.6/7.8	5.2	12400/9400	3.5/2.6	15.4/13.3	20	415	"
SDC15T50R	"	"	"	"	"	"	17500/13200	5.0/3.8	21.6/18.8	30	"	"
SDC15T75R	"	"	"	"	"	"	26000/19600	7.5/5.6	32.0/27.9	40	"	"
SDC15N45R	208	"	"	"	7.8	"	15700	4.5	22.4	30	405	"
SDC15N75R	"	"	"	"	"	"	26000	7.5	36.9	50	"	"

1. Based on ASHRAE and ARI test conditions of 35F DB / 75F WB outside, 80F DB / 61F WB inside.

2. Cooling full load amp includes compressor, indoor air fan and outdoor air fan.

3. Indoor SCFM are at high fan speed with dry coil.



- Chromalox™ UPFLOW SI & SHPI Replacement

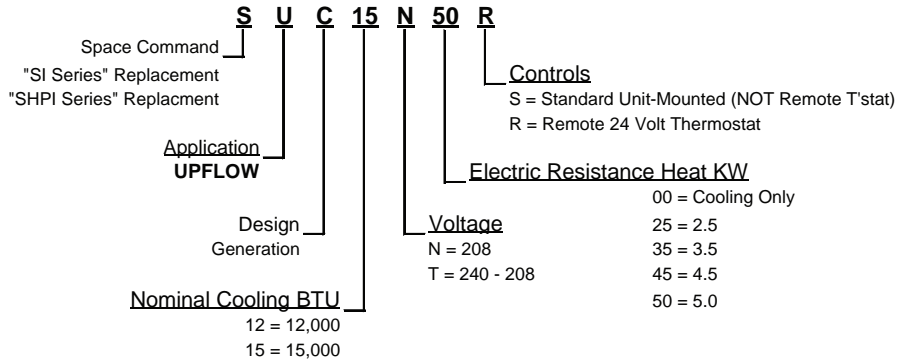
Capacity and Physical Data (common UPFLOW models shown)

Model	Voltage	Hz	Cooling				Heating			Fuse Amps	Indoor SCFM	Net Wt. (lbs.)
			BTU/Hr	EER	Amps	Pints/Hr	BTU/Hr	kW	Amps			
SUC12T25S	240-208	60	12800	10.7	5.8/6.2	4.0	9000/6800	2.5/1.9	11.1/9.6	15	410	165
SUC12T35S	"	"	"	"	"	"	12400/9400	3.5/2.6	15.3/13.2	20	"	"
SUC12T50S	"	"	"	"	"	"	17500/13200	5.0/3.8	21.5/18.7	30	"	"
SUC12N45S	208	"	"	"	6.2	"	15700	4.5	22.4	"	395	"
SUC15T50S	240-208	"	15300	10.2	7.5/7.7	5.2	17500/13200	5.0/3.8	21.5/18.7	"	410	"
SUC15N45S	208	"	"	"	"	"	15700	4.5	22.4	"	395	"

1. Based on ASHRAE and ARI test conditions of 35F DB / 75F WB outside, 80F DB / 61F WB inside.

2. Cooling full load amp includes compressor, indoor air fan and outdoor air fan.

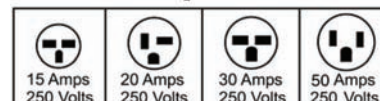
3. Indoor SCFM are at high fan speed with dry coil.



1210 Balmoral Road
Cambridge, Ontario, Canada N1T 1A5



Receptacles



Specifications Subject to Change Without Notice

All brands and product names are trademarks or registered trademarks of their respective owners

CSDC - CSUC